

S_04

Full electric multifunctional SPA massage bed | Wood effect and metal finish



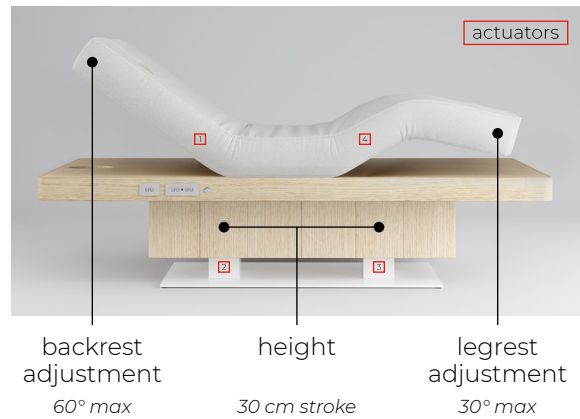
Electric adjustment of height, backrest and legrest, with 4 actuators

Mattress with 3 layers of foam to offer deep support and comfort

Three-doors storage with push-pull opening

✓ Features

Electric adjustments



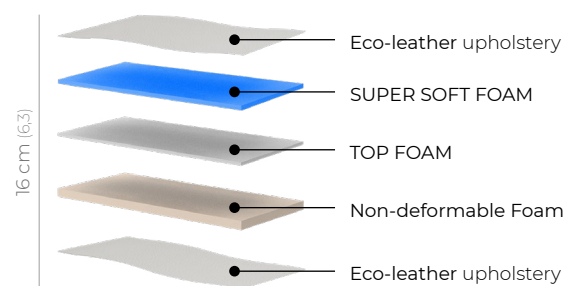
Plateau shape



SQUARED plateau and mattress

ROUNDED plateau and mattress

Mattress



✓ Extra features

- Memory foam layer for exclusive extra comfort
- Long Infrared Heating System to enhance Client's experience
- High Definition immersive sound system through vibrations
- Chromo LED system integrated under the bed's plateau
- Different plateau width
84 cm (33") - Standard
76 cm (29,2") - Optional
- External head support
- Ergonomic armrests integrated into mattress
- Electrical preparation for a Hot Towel Cabinet inside the storage
lxwxh
Front: 44,7 x 46,8 x 31,3 cm (17,6 x 18,4 x 12,3")
Side: 18,7 x 46,8 x 30,1 cm (7,4 x 18,4 x 11,9")

